

蠕动泵 Peristaltic Pumps for Liquid

PL25AC 系列(Series PL25AC)

特点 Features

无油润滑 Oil-Free
耐腐蚀性 Corrosionresistant
免维护 Maintenance Free
低噪音低振动 Low noise level&vibration
可以任何方向安装 Can be mounted in any plane
自吸功能 Self priming

结构紧凑 Compact size
长寿命 Long life
重量轻 Low Weight
低功耗 High efficiency
交直流 AC, DC and DCB Models
可以干转 Dry running

应用 Typical Applications

生化仪 Bio-Chemical Analyzer
实验室设备 Lab equipment
洗板设备 Microplate Washer
环境检测 Air Sampler
消毒柜 Autoclave
医疗设备 Medical Applications
液体分析 Liquid Analytical
冷却设备 Cooling and Heating

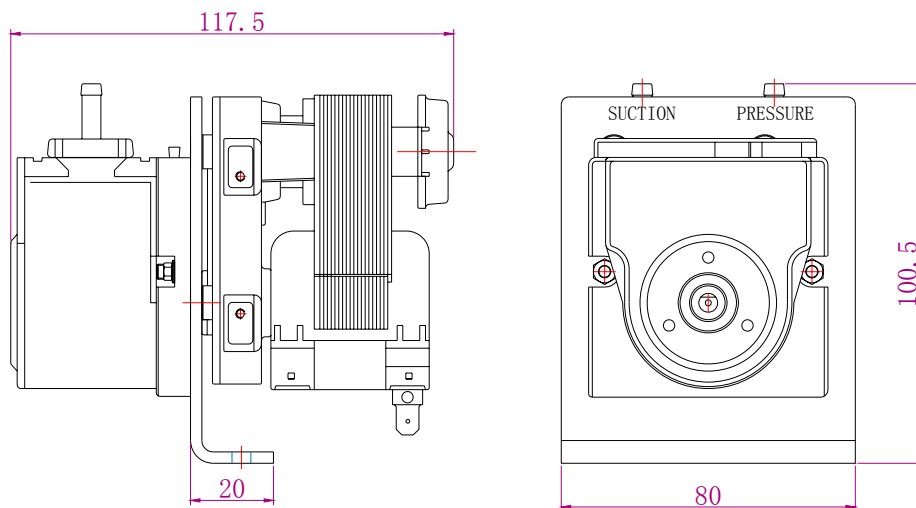
污水处理 Sewage disposal
喷绘打印 Wide-Format Printer
生化仪 Bio-Chemical Analyzer
电解质 Electrolyte
美容设备 Beauty equipment
化学分析 Chemistry analysis
工业应用 Industrial Applications
打印设备 Printing systems (ink)



技术参数 Technical Data

Tubing ID*thickness	1.6*1.6mm	Model	3.2*1.6mm	Model	4.8*1.6mm	Model
Flowing@Speed (5RPM)	1mL/m	PLA2505	3.4mL/m	PLB2505	6.8mL/m	PLC2505
Flowing@Speed (10RPM)	1.8mL/m	PLA2510	6.7mL/m	PLB2510	13.4mL/m	PLC2510
Flowing@Speed (20RPM)	3.8mL/m	PLA2520	13.4mL/m	PLB2520	26.9mL/m	PLC2520
Flowing@Speed (30RPM)	5.7mL/m	PLA2530	20.1mL/m	PLB2530	40.5mL/m	PLC2530
Flowing@Speed (50RPM)	10mL/m	PLA2550	36mL/m	PLB2550	69mL/m	PLC2550
Flowing@Speed (70RPM)	13mL/m	PLA2570	50mL/m	PLB2570	97mL/m	PLC2570
Flowing@Speed (160RPM)	29mL/m	PLA25160	115mL/m	PLB25160	220mL/m	PLC25160
Flowing@Speed (215RPM)	39mL/m	PLA25215	155mL/m	PLB25215	297mL/m	PLC25215
Rated voltage	AC220V 50Hz					
Power consumption	1 9W					
Motor	Shade pole Motor					
Max Press. Height	8m WC					
Max Suction Height	8m WC					
Ambient temperature	0-40 °C					
Weight	0.95KG					
Material of Tubing	Novoprene					

外形尺寸: Dimensions(mm)



可根据客户使用要求定做: We can design according to customer requirements