

膜片式液泵 Oil-Free Diaphragm Pumps for Liquid

DL100EEDCB 系列(Series DL100EEDCB)

特点 Features

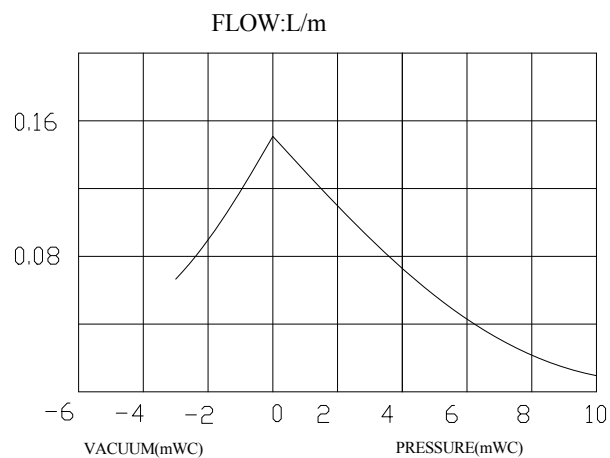
无油润滑 Oil-Free
耐腐蚀性 Corrosionresistant
免维护 Maintenance Free
低噪音低振动 Low noise level&vibration
可以任何方向安装 Can be mounted in any plane
自吸功能 Self priming

应用 Typical Applications

生化仪 Bio-Chemical Analyzer
实验室设备 Lab equipment
洗板设备 Microplate Washer
环境检测 Air Sampler
消毒柜 Autoclave
医疗设备 Medical Applications
液体分析 Liquid Analytical
冷却设备 Cooling and Heating

结构紧凑 Compact size
长寿命 Long life
重量轻 Low Weight
低功耗 High efficiency
无刷电机 BLDC Motor
可以干转 Dry running

污水处理 Sewage disposal
喷绘打印 Wide-Format Printer
生化仪 Bio-Chemical Analyzer
电解质 Electrolyte
美容设备 Beauty equipment
化学分析 Chemistry analysis
工业应用 Industrial Applications
打印设备 Printing systems (ink)



技术参数 Technical Data

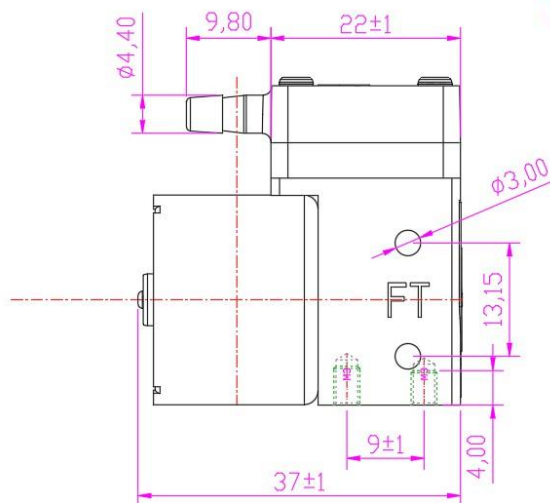
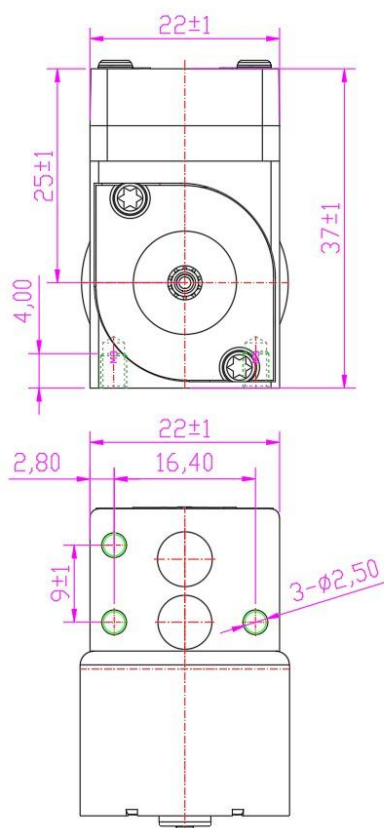
额定电压 Rated voltage	DC12V	DC24V
额定电流 Rated current	0.4A	0.2A
空载流量 Free flowing	150mL/M	150mL/M
扬程 Max Press. Height	10m WC	10m WC
最大吸力 Max Suction Height	3m WC	3m WC
使用温度 Ambient temperature	0- 40℃	0- 40℃
重量 Weight	75g	75g

- 可以在任何方向安装使用 Can be mounted in any plane
- 真空和压力均可 applicable as vacuum pump or pressure pump

材质: Parts in contact with medium Option

- 泵头 Pump head: PA66 or PPS
- 膜片/阀片 Diaphragms, valves: EPDM

外形尺寸: Dimensions(mm)



温馨提示: 泵体底部安装孔的深度为4mm, 请使用时注意螺丝长度, 螺丝安装超差会导致产品电机转动受阻!

Warm tips: the depth of the mounting hole at the bottom of the pump body is 4mm. Please pay attention to the length of the screw when using. The screw installation error will cause the motor rotation of the product to be blocked!