

膜片式液泵 Oil-Free Diaphragm Pumps for Liquid

DL100EEGDC 系列(Series DL100EEGDC)

特点 Features

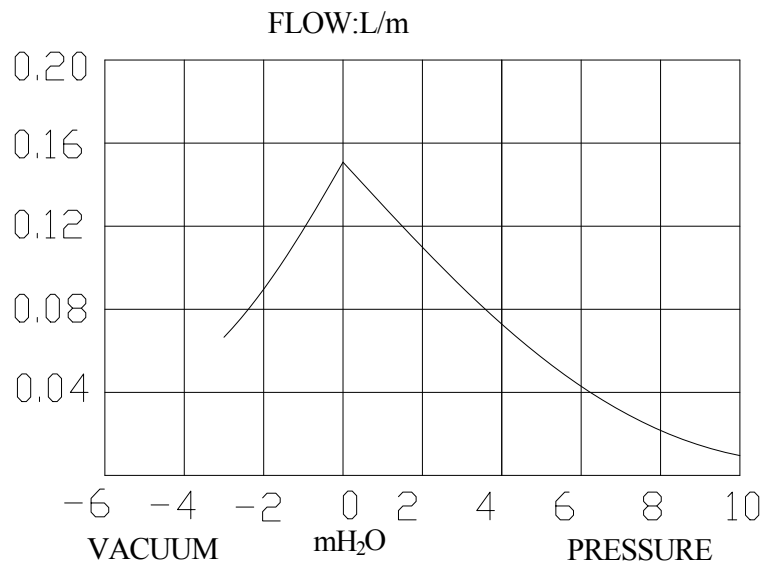
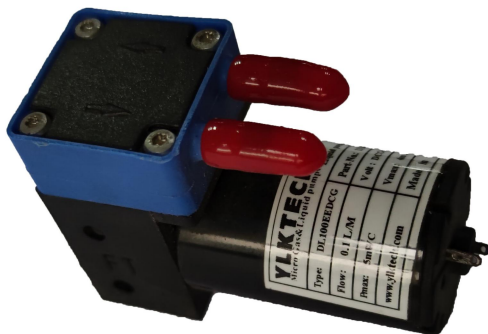
- 无油润滑 Oil-Free
- 耐腐蚀性 Corrosionresistant
- 免维护 Maintenance Free
- 低噪音低振动 Low noise level&vibration
- 可以任何方向安装 Can be mounted in any plane
- 自吸功能 Self priming

应用 Typical Applications

- 生化仪 Bio-Chemical Analyzer
- 实验室设备 Lab equipment
- 洗板设备 Microplate Washer
- 环境检测 Air Sampler
- 消毒柜 Autoclave
- 医疗设备 Medical Applications
- 液体分析 Liquid Analytical
- 冷却设备 Cooling and Heating

- 结构紧凑 Compact size
- 长寿命 Long life
- 重量轻 Low Weight
- 低功耗 High efficiency
- 无刷直流电机 DCB Models
- 可以干转 Dry running

- 污水处理 Sewage disposal
- 喷绘打印 Wide-Format Printer
- 生化仪 Bio-Chemical Analyzer
- 电解质 Electrolyte
- 美容设备 Beauty equipment
- 化学分析 Chemistry analysis
- 工业应用 Industrial Applications
- 打印设备 Printing systems (ink)



技术参数 Technical Data

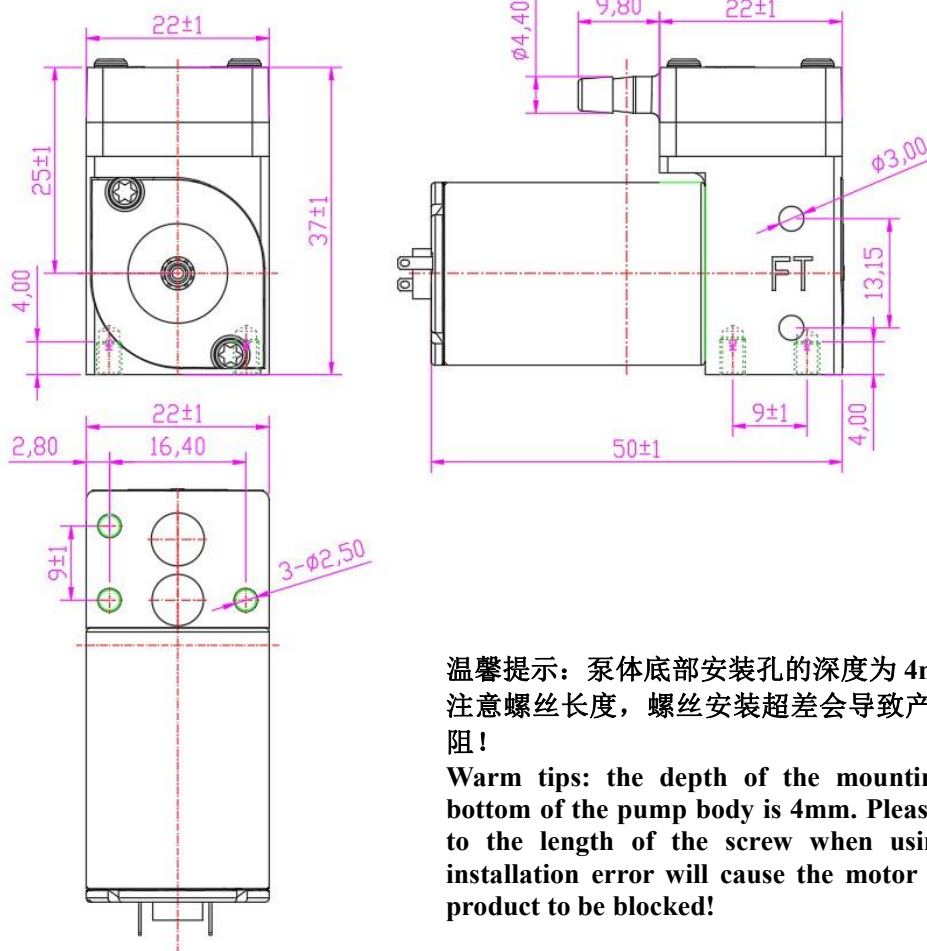
额定电压 Rated voltage	DC12V	DC24V
额定电流 Rated current	150mA	100mA
空载流量 Free flowing	150mL/M	150mL/M
扬程 Max Press. Height	10m WC	10m WC
最大吸力 Max Suction Height	3m WC	3m WC
使用温度 Ambient temperature	0- 40°C	0- 40°C
重量 Weight	60g	60g

- 可以在任何方向安装使用 Can be mounted in any plane
- 真空和压力均可 applicable as vacuum pump or pressure pump

材质: Parts in contact with medium Option

- 泵头 Pump head: PA66 or PPS
- 膜片/阀片 Diaphragms, valves: EPDM

外形尺寸: Dimensions(mm)



温馨提示: 泵体底部安装孔的深度为 4mm, 请使用时注意螺丝长度, 螺丝安装超差会导致产品电机转动受阻!

Warm tips: the depth of the mounting hole at the bottom of the pump body is 4mm. Please pay attention to the length of the screw when using. The screw installation error will cause the motor rotation of the product to be blocked!